

BXX-DIP

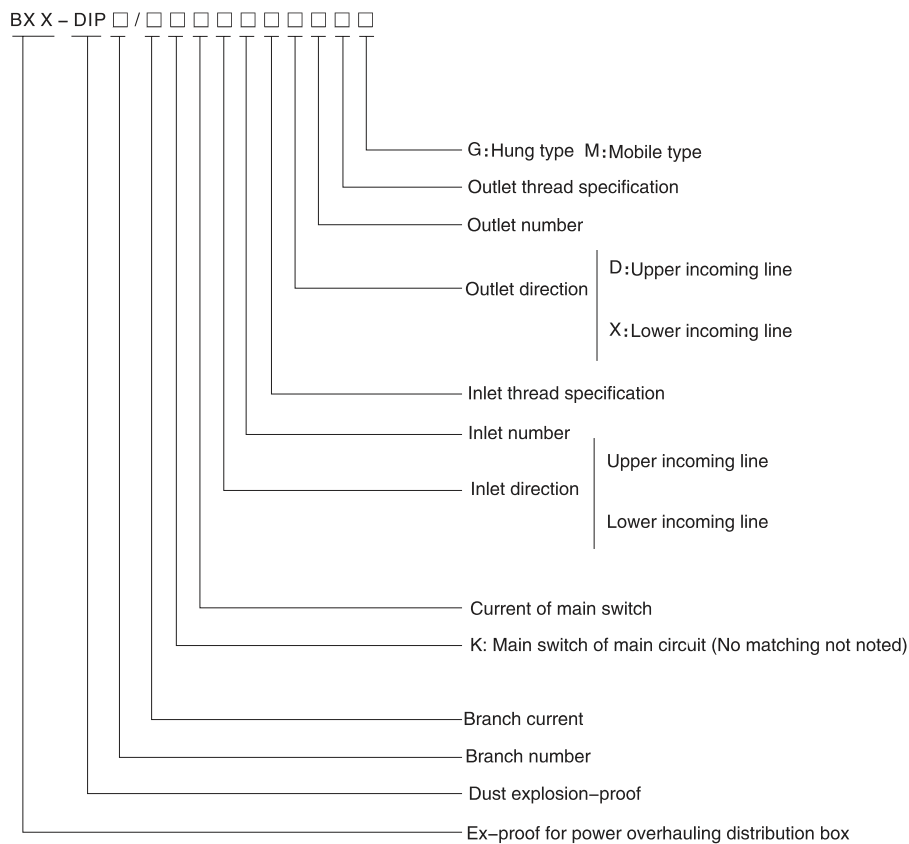
Type dust explosion-proof illumination power overhaul box (DIP)



Application

- Can be used in hazardous areas: Zone 20 \ Zone 21 \ Zone 22.
- Can be used in explosive or flammable dust atmosphere.

Model implication



BXX-DIP

Type dust explosion-proof illumination power overhaul box (DIP)

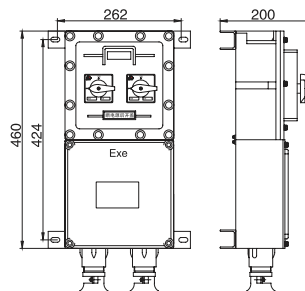
Main technical parameters

- Implementing the standard : GB 12476.1
- Explosion-proof mark: DIPA20TA, T6
- Rated voltage: AC 380
- Circuit number: 2、4
- Branch current: $\leq 100\text{A}$
- Protection grade: IP65
- Explosion-proof class: WF1
- Inlet thread : G2" ~ G3"
- Outlet thread: G1 1/2"

Features

- The housing is die cast in aluminum alloy, with high voltage static plastic-sprayed surface.
- Inside is installed MCCB.
- Conduit wiring or cable wiring.
- Special type can be made.

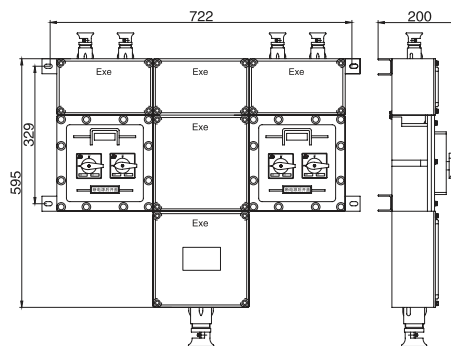
Outline and mounting example



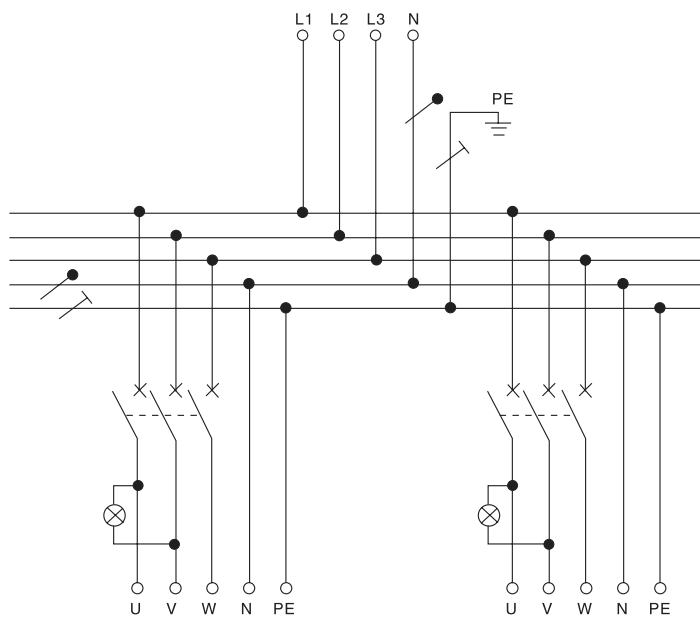
BXX-DIP2

BXX-DIP

Type dust explosion-proof illumination power overhaul box (DIP)



BXX-DIP4



Electrical principle chart