

BQXR51

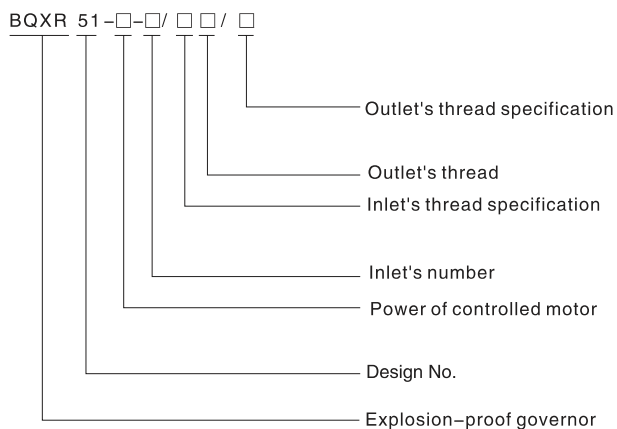
Type explosion-proof soft starter (II B)



Application

- Can be used in hazardous areas: Zone 1 and Zone 2.
- Can be used in explosive gas atmospheres of Category IIA and , II B where the temperature classification is T1 ~ T4.

Model implication



Technical parameters

- Implementing the standard : GB 3836.1、GB 3836.2、IEC60079
- Rated voltage: AC380V/220V
- Explosion-proof mark: Exd II BT4
- Protection grade: IP54
- Corrosion-proof grade: Wf1

BQXR51

Type explosion-proof soft starter (II B)

Type	Motor power	Rated current	Inlet thread	Cable's outside diameter
BQXR51-7.5	7.5	6~18	1 1/4	14~25
BQXR51-15	15	10~30	1 1/2	17~28
BQXR51-22	22	22~45		
BQXR51-30	30	29~60	2	25~38
BQXR51-37	37	28~75		
BQXR51-45	45	60~90	2 1/2	32~45
BQXR51-55	55	70~110		
BQXR51-75	75	87.5~145	3	35~55
BQXR51-90	90	105~175		

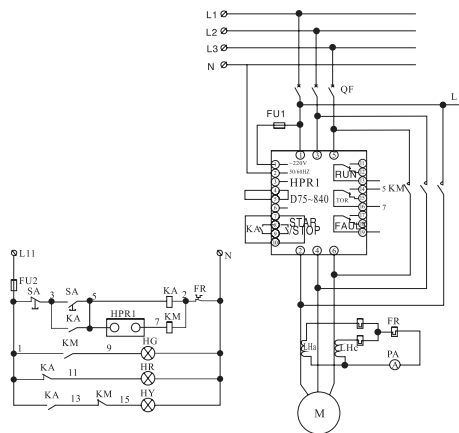
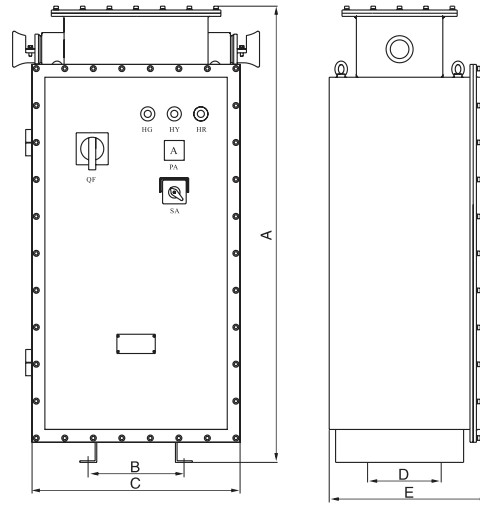
Features

- The shell is made of diecasted Al-alloy or welded of steel plates.
- Inside will be installed ABB or schneider's sold soft starter, which increase voltage step by step to flatly start.
- It shall the starting mode from normal type and heavy-loaded type according to load characteristics, starting parameter can be self-setted.
- Conduit wiring or cable wiring.

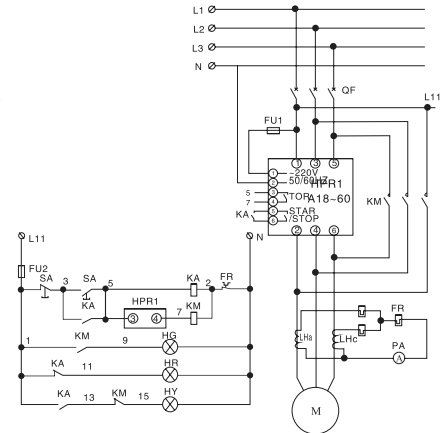
BQXR51

Type explosion-proof soft starter (II B)

Outline and mounting example



BQXR-37~90kW
Electrical principle chart



BQXR-7.5~30kW
Electrical principle chart

Type	A	B	C	D	E
BQXR-7.5-55	1200	350	550	220	400
BQXR-75-95	1420	390	650	300	500