

## BZC-DIP

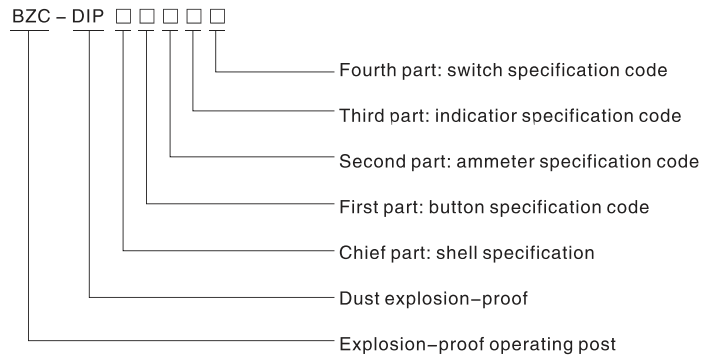
Type dust explosion-proof operating post (DIP)



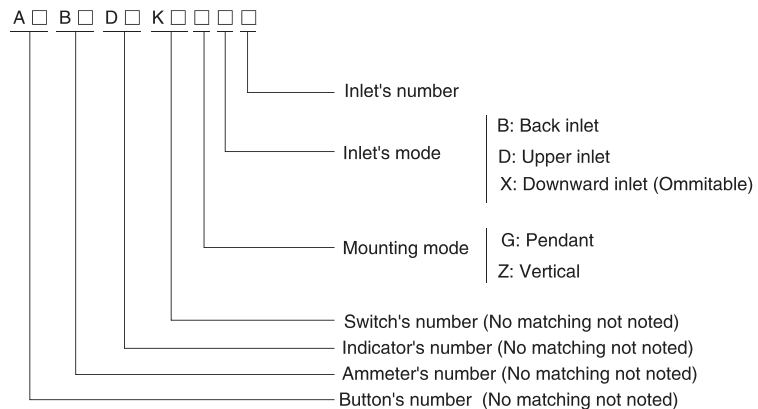
### Application

- Can be used in hazardous areas: Zone 20、Zone 21 and Zone 22.
- Can be used in explosive or flammable dust atmosphere.

### Model implication



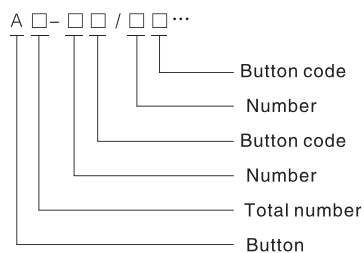
### Application of chief part



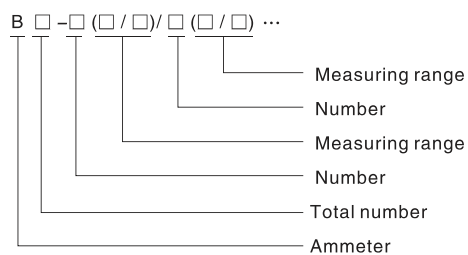
## BZC-DIP

Type dust explosion-proof operating post (DIP)

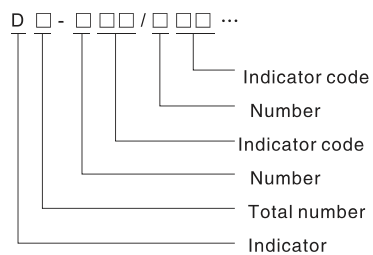
### Application of first part



### Application of second part



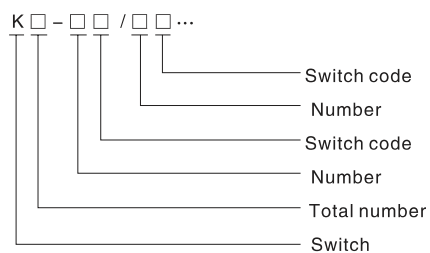
### Application of third part



## BZC-DIP

Type dust explosion-proof operating post (DIP)

### Application of forth part



### Main technical parameters

- Implementing the standard : GB 12476.1
- Explosion-proof mark: DIPA20TA, T<sub>6</sub>
- Rated voltage: AC 380/220V
- Protection grade: IP65
- Explosion-proof class: WF1
- Using type: AC-3、AC-4
- Rated current: 10A
- Inlet's thread: G1"
- Cable spec:  $\phi$  11mm~  $\phi$  18mm

### Features

- The housing is die cast in aluminum alloy, with high voltage static plastic-sprayed surface
- with the strong performances of waterproof and dustproof.
- Besides built-in indicator lamp, button, universal change-over switch and ammeter, other meters can be mounted according to users' requirements.
- The measuring range of ammeter can be determined by user.
- Two mounting modes, vertical type and wall-hanging type.

## BZC-DIP

Type dust explosion-proof operating post (DIP)

### Button code

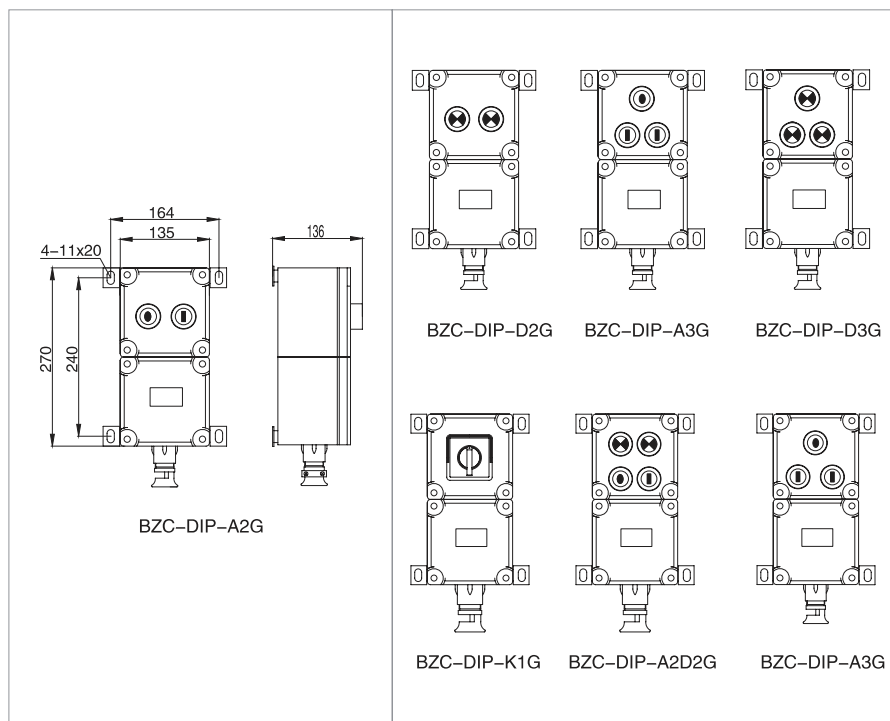
Code	I	II	III
Form of button contact	1NO+1NC	2NO	2NC

### Indicator code

Code	a	b	c	d	e
Voltage(V)	12	24	36	220	380

Code	R	G	Y	W
Color	Red	Green	Yellow	White

### Outline and mounting example



## BZC-DIP

Type dust explosion-proof operating post (DIP)

